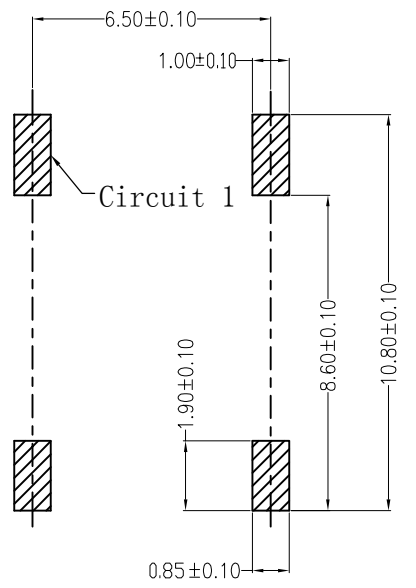
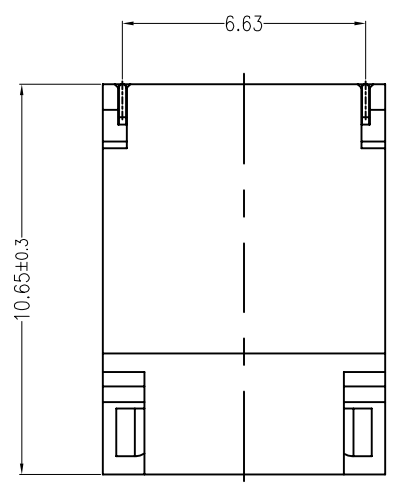
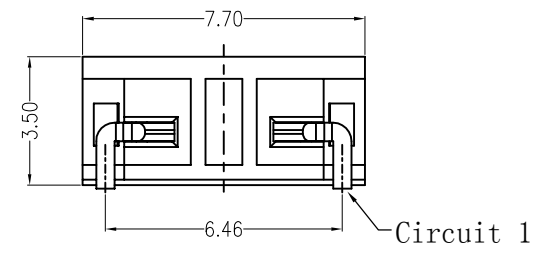
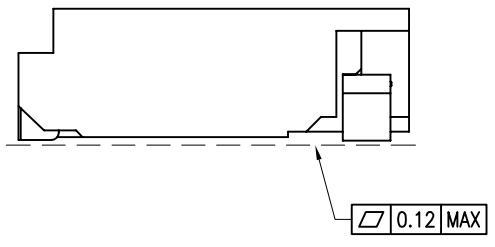
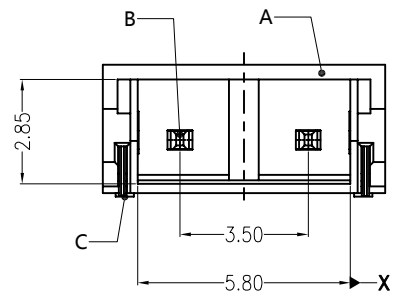


A B C D E F

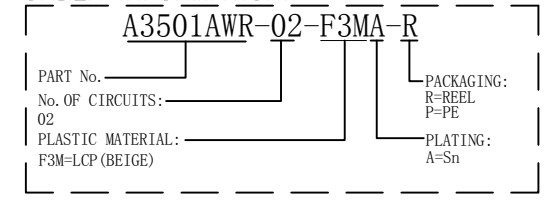
REV	DESCRIPTION	DESIGN	DATE
A0	Release	吴丹平	2016.11.11



主要技术参数 Main Specifications

- 线 数 (Poles): 02
- 接触电阻 (Contact resistance): $\leq 20m\Omega$
- 绝缘电阻 (Insulation resistance): $\geq 1000M\Omega$
- 额定电压 (Rated voltage): 1400V AC DC
- 额定电流 (Rated current): 1.0A AC DC
- 耐 电 压 (Withstand Voltage): 3800V AC/minute
- 温度范围 (Temperature Range): $-25^{\circ}C \sim +105^{\circ}C$

ORDER INFORMATION:



**SUGGESTED PCB LAYOUT
(COMPONENT SIDE)**

A B C D E F

ITEM	COMPONENT	Q'TY	MATERIAL	FINISH
C	SOLDER TAB	2 PCS	PhosphorBronze	Sn-plated
B	CONTACT	2 PCS	PhosphorBronze	Sn-plated
A	PEDESTAL	1 PCS	LCP	UL 94V-0, COLOR:BEIGE

JKUN 温州健坤接插件有限公司 WENZHOU JKUN CONNECTOR CO., LTD.			TITLE: - 3.5mmPITCH 90°WAFER SMT TYPE	
X.±0.5	X.±5'	USE: CUSTOMER	PART NO.:	
.X±0.3	.X±2'		A3501AWR-02-F3MA-R	
.XX±0.25	.XX±1'	APPD: 邵敬和	DWG NO.:	
--	--	CHKD: 田峰	JKUN-GCCP-0565	
⊕	◁	DR: 蒋建银	SCALE	SHEET
	mm		1 : 1	1 / 1