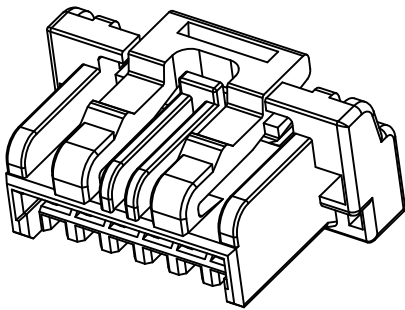
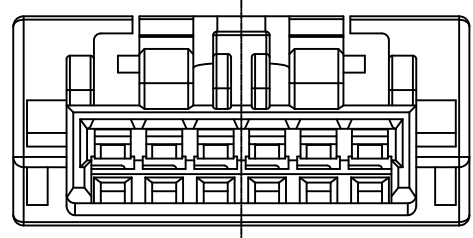
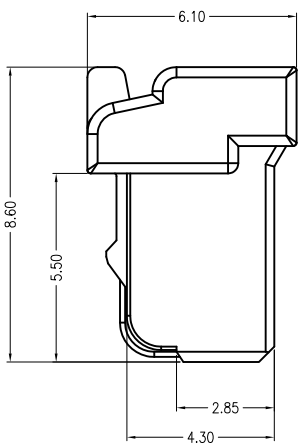
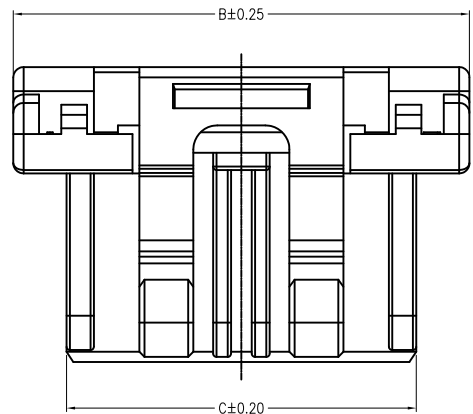
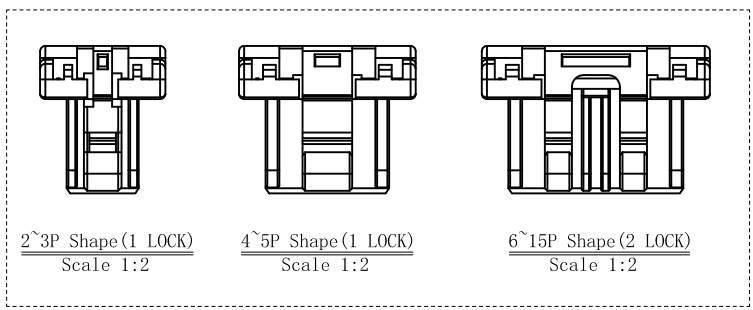
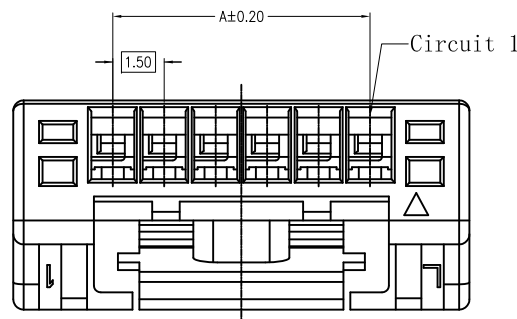


REV	DESCRIPTION	DESIGN	DATE
A	NEW RELEASE	Lingqing	2021/03/13

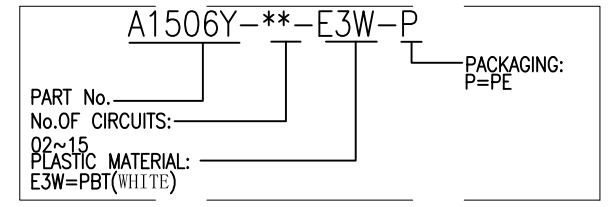


Specifications:

Contact resistance: $\leq 20m\Omega$
 Insulation resistance: $\geq 500M\Omega$
 Rated voltage: 100V AC DC
 Rated current: 2.0A AC DC
 Withstand Voltage: 500V AC/minute
 Temperature Range: $-40^{\circ}C \sim +105^{\circ}C$
 Housing: PBT UL94V-0, Natural

PIN.	A	B	C	PIN.	A	B	C
2pin	1.50	7.30	4.20	9pin	12.00	17.80	14.70
3pin	3.00	8.80	5.70	10pin	13.50	19.30	16.20
4pin	4.50	10.30	7.20	11pin	15.00	20.80	17.70
5pin	6.00	11.80	8.70	12pin	16.50	22.30	19.20
6pin	7.50	13.30	10.20	13pin	18.00	23.80	20.70
7pin	9.00	14.80	11.70	14pin	19.50	25.30	22.20
8pin	10.50	16.30	13.20	15pin	21.00	26.80	23.70

ORDER INFORMATION:



JKUN 温州健坤接插件有限公司 WENZHOU JKUN CONNECTOR CO.,LTD.			TITLE: 1.50mm PITCH Housing	
GENERAL TOLERANCE		USE:		PART NO.:
X. ± 0.50	X. $\pm 5^{\circ}$	CUSTOMER		
X.X ± 0.30		APPD:		A1506Y-**-E3W-P
X.XX ± 0.20		X.XX $\pm 2^{\circ}$		DWG NO.:
X.XX $\pm 1^{\circ}$		X.XX $\pm 1^{\circ}$		JKUN-GCKH-0912
UNITS: mm		DR:		SCALE
Zenglingqing		Zenglingqing		SHEET
				1 : 1
				1 / 1